



2+



32



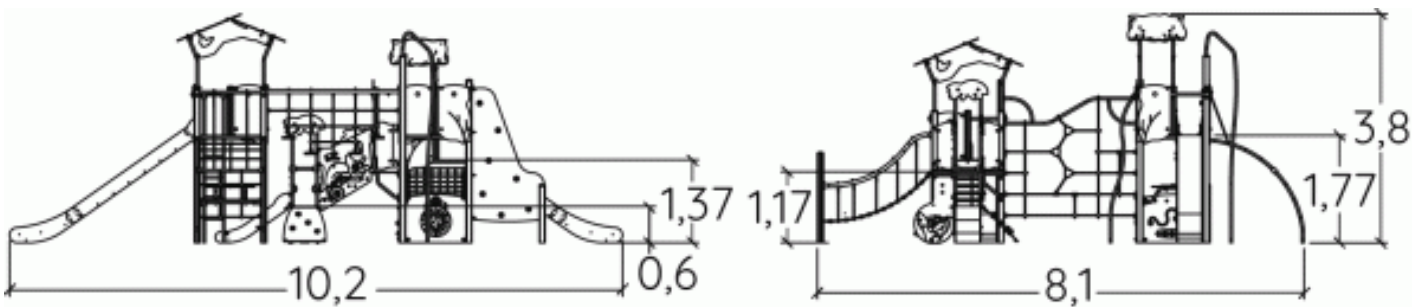
2,6m



1 = 10,15m  
2 = 8,05m  
3 = 3,76m



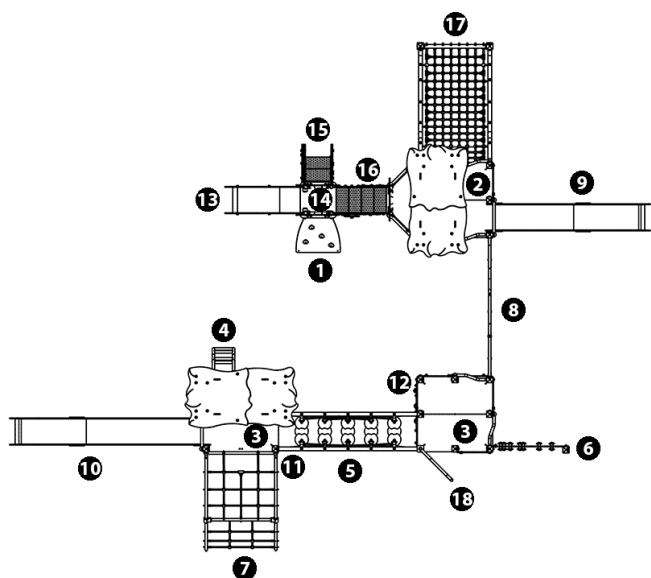
Motor inclusion  
Sensory inclusion  
Mental inclusion



Play value : **38**

|                          |                     |                               |                              |                    |                          |                  |                     |
|--------------------------|---------------------|-------------------------------|------------------------------|--------------------|--------------------------|------------------|---------------------|
| climbing<br><br>x1       | role play<br><br>x4 | sliding<br><br>x4             | meeting<br><br>x4            | resting<br><br>x1  | handling<br><br>x5       | hiding<br><br>x1 | balancing<br><br>x2 |
| taking shelter<br><br>x2 | thinking<br><br>x1  | tactile stimulation<br><br>x3 | visual stimulation<br><br>x1 | climbing<br><br>x7 | getting across<br><br>x2 |                  |                     |

## Components

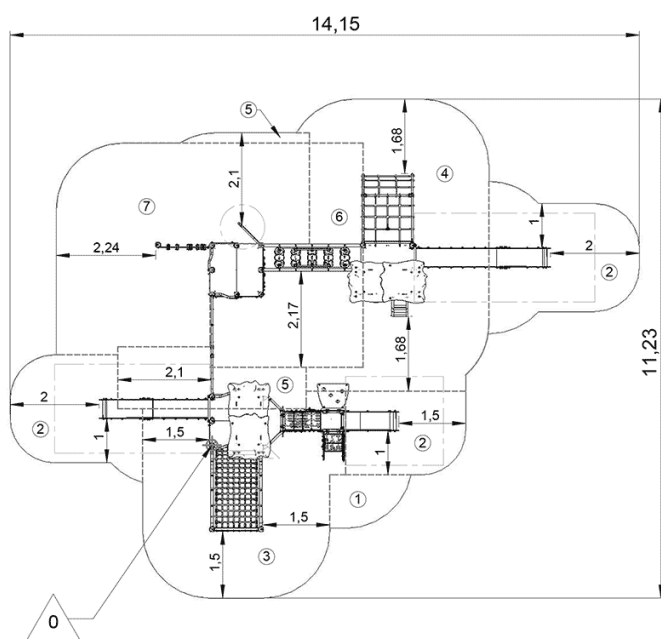


- ① Slope
- ② Square platform
- ③ Square platform
- ④ Curved ladder
- ⑤ Floating steps
- ⑥ Climbing wall
- ⑦ Curved climbing net
- ⑧ Climbing net
- ⑨ Slide H: 1.37m
- ⑩ Slide
- ⑪ Play table
- ⑫ Lottery Panel
- ⑬ Slide
- ⑭ Themed square platform
- ⑮ Stairway
- ⑯ Intermediate staircase
- ⑰ FILET PMR DIABOLO
- ⑱ Fireman's pole

## Installation of equipment

Impact area =

- Impact area
- Free space



|   |       |                    |
|---|-------|--------------------|
| 1 | 0,6m  | 1,5m <sup>2</sup>  |
| 2 | 1m    | 20m <sup>2</sup>   |
| 3 | 1,37m | 18m <sup>2</sup>   |
| 4 | 1,77m | 19,5m <sup>2</sup> |
| 5 | 2,4m  | 5,5m <sup>2</sup>  |
| 6 | 2,5m  | 12,5m <sup>2</sup> |
| 7 | 2,6m  | 21m <sup>2</sup>   |



2

20h00

0.86m<sup>3</sup>

98m<sup>2</sup>

1253kg

33kg

EN

1176